

## Adsorption dryer ATK-APN 12

Rev 01\_0124

### Technical data sheet

Page 1 of 2

Nominal capacity (based on suction conditions 1 bar (a), 20°C)	Unit	Design data
Volume flow inlet	m <sup>3</sup> /h	180
Volume flow outlet	m <sup>3</sup> /h	154,8
Average regeneration air	m <sup>3</sup> /h	25,2
Compressed air inlet temperature	°C	35
Working pressure	bar g	7
Pressure dew point	°C	-40
Residual oil content	mg/m <sup>3</sup>	x

General data	Unit	Design data
Maximum operating pressure	bar g	16
Minimum operating pressure	bar g	4
Maximum inlet temperature	°C	50
Ambient temperature minimum	°C	2

Norms and key figures	Unit	Design data
Pressure vessel standard		2014/68/EU
Category		I
Module	Type	A
Fluid group		2
Testing pressure	bar g	24
Sound insulation level		ISO 85

Scope of supply	Unit	Design data
Ready-to-operate adsorption dryer	Type	ATK-APN 12
Controls	Type	ECOMATIC
Preliminary filter	Type	APF103SMA
Afterfilter	Type	APF103DMF
Filling	Type	Alumina
Total weight of filling	Kg	39

Options	Unit
Controls	Dew point device ET-C Dew point device ET-P (incl. inlet air control) ECOMATIC24 (24 V DC version) PNC (pneumatic control)
Minimum pressure devices	AV G 1/2“, AV G 3/4“

Cycles	Unit	Design data
Total	min	10
Adsorption	min	4,5
Regeneration	min	4,5
Pressure build-up time	min	1

## Adsorption dryer ATK-APN 12

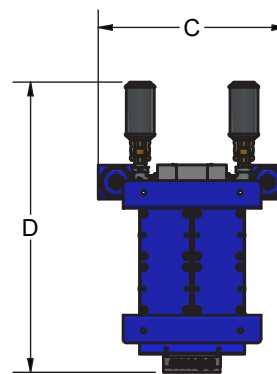
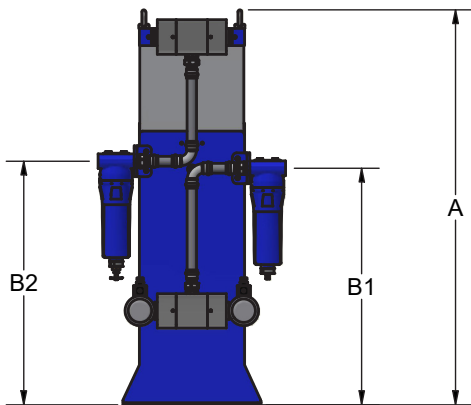
Rev 01\_0124

### Technical data sheet

Dimensions and weights	Unit	Design data
A	mm	1145
B1	mm	686
B2	mm	706
C	mm	543
D	mm	842
Nominal size inside the adsorber	Inch	1"
Connection input	Inch	1"
Output connection	Inch	1"
Total weight	Kg	149
Vessel volume	Liter	11,73

Electrical data	Unit	Design data
Installed capacity	W	32
Connector	V	230
Control voltage	V	230
Rate	Hz	50 / 60
Protection class housing	IP	54

### Dimensional drawings



Correction factors	
Inlet temperature	
°C	< 25 25 30 35 38 40 45 48 50
F(t)	1,2 1,1 1,09 1 0,84 0,78 0,72 0,65 0,58

Correction factors working pressure																									
bar g	4	4,5	5	5,5	6	6,5	7	7,5	8	8,5	9	9,5	10	10,5	11	11,5	12	12,5	13	13,5	14	14,5	15	15,5	16
F(p)	0,6	0,7	0,74	0,82	0,89	0,97	1	1,08	1,11	1,16	1,22	1,29	1,36	1,42	1,5	1,57	1,63	1,69	1,75	1,83	1,9	1,96	2,03	2,1	2,14

Please multiply the capacity with the correction factors in the above table