

Activated carbon adsorber ATC-APN 11

Rev 01_1223

Technical data sheet

Page 1 of 2

Nominal capacity (based on suction conditions 1 bar (a), 20°C)	Unit	Design data
Volume flow inlet	m ³ /h	140
Volume flow outlet	m ³ /h	140
Compressed air inlet temperature	°C	35
Working pressure	bar g	7
Residual oil content	mg/m ³	< 0,003

General data	Unit	Design data
Maximum operating pressure	bar g	16
Minimum operating pressure	bar g	0
Maximum inlet temperature	°C	50°C (25° eff.)
Ambient temperature minimum	°C	2

Norms and key figures	Unit	Design data
Pressure vessel standard		abnahmefrei nach 2014/68/EU
Category		I
Module	Type	A
Fluid group		2
Testing pressure	bar g	24

Scope of supply	Unit	Design data
Ready-to-operate adsorption dryer	Type	ATC-APN 11
Afterfilter	Type	APF103DMF
Filling	Type	Activated carbon dedusted
Total weight of filling	Kg	9,6
Oil indicator A-4000-120		no

Options	Unit	Design data
Preliminary filter	Type	APF103SMA

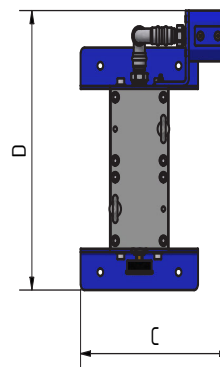
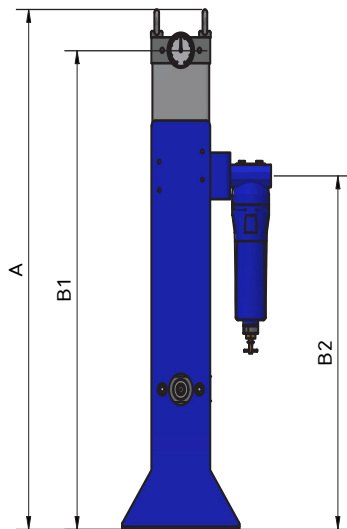
Activated carbon adsorber ATC-APN 11

Rev 01_1223

Technical data sheet

Dimensions and weights	Unit	Design data
A	mm	1008
B1	mm	928
B2	mm	686
C	mm	381
D	mm	542
Nominal size inside the adsorber	Inch	1"
Connection input	Inch	1"
Output connection	Inch	1"
Total weight	Kg	56
Vessel volume	Liter	9,54 (per vessel)

Dimensional drawings



Correction factors	
Inlet temperature	
°C	< 25 25 30 35 38 40 45 48 50
F(t)	1,2 1,1 1,09 1 0,84 0,78 0,72 0,65 0,58

Correction factors working pressure																									
bar g	4	4,5	5	5,5	6	6,5	7	7,5	8	8,5	9	9,5	10	10,5	11	11,5	12	12,5	13	13,5	14	14,5	15	15,5	16
F(p)	0,6	0,7	0,74	0,82	0,89	0,97	1	1,08	1,11	1,16	1,22	1,29	1,36	1,42	1,5	1,57	1,63	1,69	1,75	1,83	1,9	1,96	2,03	2,1	2,14

Please multiply the capacity with the correction factors in the above table