

## GAS SUPPLY PANELS

### LHPI 120P | HIGH PURITY MANUAL SWITCHOVER SUPPLY PANEL

The HPI 120P is a high purity two-stage manual switchover gas supply panel prevents downtime by manually switching gas supply from the primary cylinder bank to the reserve cylinder bank. Gas supply panel is available in chrome plated brass (HPI 120PC) or stainless steel (HPI 120PS) barstock for pressure control of non-corrosive gases. System include purge function. Designed for constant delivery pressure from full to near empty cylinder conditions. Outlet pressure is factory pre-set.

#### APPLICATIONS:

- High purity gas applications;
- Research sample systems gases;
- Gas chromatography;
- Calibration gas;
- Process analyzer gases;
- Emission monitoring systems.
- Laser application.

#### FEATURES:

- Recommended for non-corrosive gases purity levels up to grade 6.0 (99.9999);
- Wall mounting panel and brackets included;
- Ready to install wall mounting panel;
- Metal steel diaphragm eliminates contamination from diffusion or outgassing;
- Purge function and diaphragm shut-off valves for the best results;
- Possible to connect 2 gas cylinders or gas cylinder and a gas for purging operation;
- HPI 120PC - chrome plated body, bonnet and fittings;
- HPI 120PS - 316L stainless steel body, bonnet and fittings;
- $1 \times 10^{-9}$  mbar l/s He inboard helium leak rate to maintain gas purity levels;
- Inlet / outlet - 1/4" FNPT;
- Maximum inlet pressure 300 bar (4350 psig);
- Tested for use with oxygen.



#### MATERIALS

<b>Body, bonnet</b>	316L stainless steel barstock or chrome plated brass barstock
<b>Diaphragm (regulator)</b>	Hastelloy® * C276
<b>Diaphragm (valve)</b>	Elgiloy®**
<b>Nozzle</b>	316L stainless steel
<b>Seat</b>	PEEK
<b>Seals O-ring</b>	Viton®*** (FKM)
<b>Filter</b>	SS 316L
<b>Adjusting Knob</b>	Aluminium

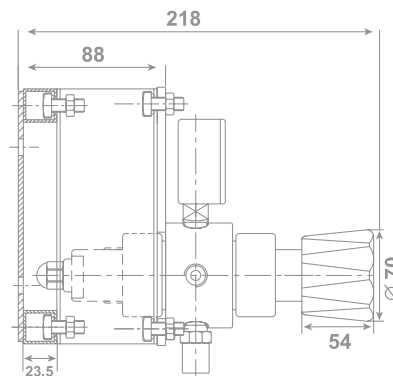
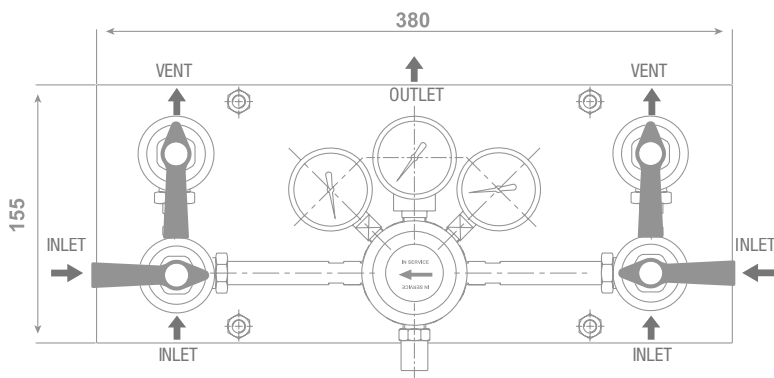
\* Hastelloy® is a registered trademark name of Haynes International, Inc

\*\* Elgiloy® a registered trademark of Elgiloy Specialty Metals

\*\*\* Viton® is a registered trademark of The Chemours Company

#### TECHNICAL DATA

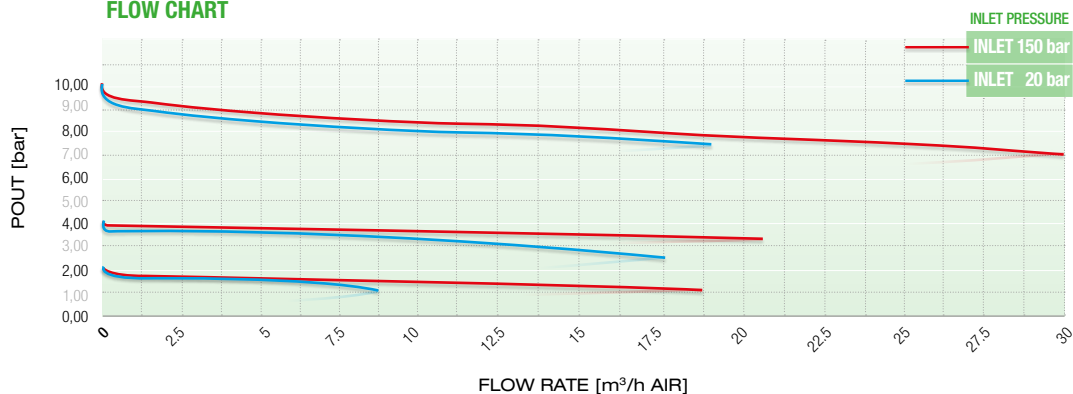
<b>Panel type</b>	Semi-automatic switchover supply panel
<b>Regulator type</b>	Two-stage
<b>Purity</b>	Up to 6.0
<b>Inlet pressure</b>	Max. 300 bar (4350 psi)
<b>Outlet pressure</b>	2/4/10/20 bar (29/58/145/290 psi)
<b>Purge function</b>	Yes
<b>Oxygen use</b>	Suitable



### SPECIFICATION

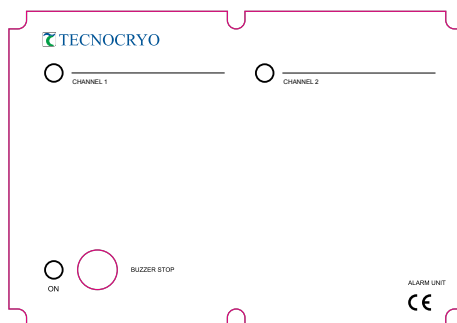
Inlet / outlet ports	1/4" NPT-F
Weight	4,5 kg
Temperature range	-30°C to +74°C

### FLOW CHART



### RELATED OPTIONS

- HAS - 2 - two connection
- 4 - two connection
- 6 - two connection



### EXTENSIONS



### NOTE

---



---



---



---



---



---



---



---



---



---