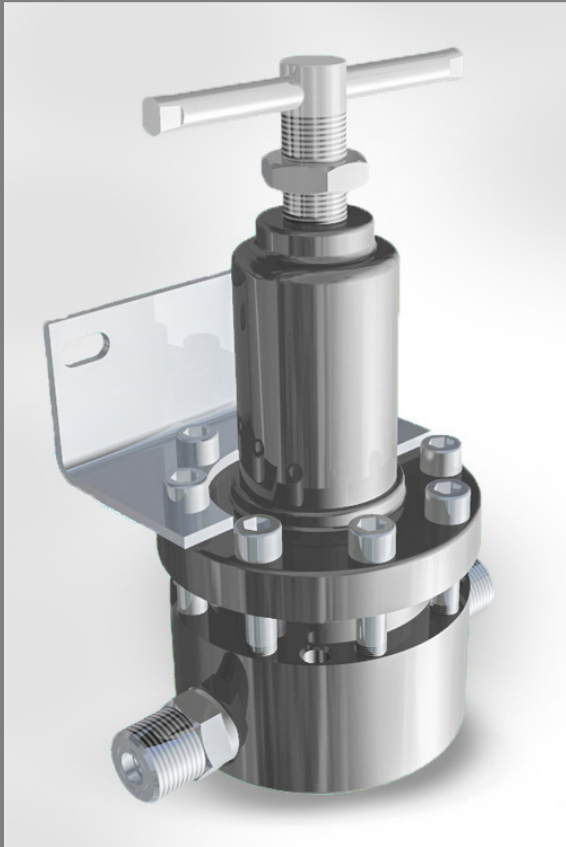


# 3VSS1

AISI 316L stainless steel high pressure relief valves,  
suitable for compressed air, gas and liquid



## FEATURES

AISI 316L relief valve for inlet pressure up to 200 bar (2900 psi) in the standard version.

Inlet and outlet connections:

G3/4-M;  
G1-M;  
3/4" NPT-M;  
1" NPT-M.

Alternative threads or EN/ASME flanges available on request.

The relief valve opens when the inlet pressure increases above the set point initially regulated by the adjusting screw and it closes when the pressure goes down under the set point.

Available the ATEX 2014/34/EU version.

Brand  $\text{CE} \text{ II 2 Gc II CTX}$

$\text{CE} \text{ II 2 Dc II CTX}$ .

For use in potentially explosive atmospheres zones: 1, 21, 2, 22 (not applicable in mines and zone 0).

Relief pressure pressure is controlled by a piston.

The product complies with the directive 2014/68/EU PED.

## **SPECIFICATIONS**

Relief valve weight: ~12.3 kg / ~27.1 lb

Working temperature: -20 °C ÷ +60 °C (-4 °F ÷ +140 °F) for standard version

Degree of protection: IP25

## **MATERIALS**

Body and bonnet: AISI 316L

Internal parts: AISI 316L

Adjusting spring: C85 (not in contact with the fluid)

O-Ring: EPDM /FPM according to the fluid (different compound available on request)

Piston: AISI 316L

Main valve gasket: PA 6.6

## **ACCESSORIES**

Wall mounting bracket and ring nut

## **SPARE PARTS**

Complete kit: main valve and o-rings

## generating the product code

Valvola di sfioro alta pressione in AISI 316L/ High pressure AISI 316L relief AA BB CC DD EE			
AA	Attacchi / Connections	QM	G3/4-M
		RM	G1-M
		XM	3/4"NPT-M
		YM	1"NPT-M
BB	Pressione di sfioro / Relief pressure	VR	R.P. 0÷200 bar
		XR	R.P. 0÷100 bar
CC	Tipologia di fluido / Type of fluid	98	EPDM
		99	FPM
DD	Marchiato / Marked	I0	Insert Deal
		Z0	Dir ATEX 2014/34/EU
EE	Accessori / Accessories	00	Nessun accessorio / No accessories

## ESEMPIO COMPOSIZIONE CODICE

**3VSS1# RM VR 99 I0 00**

**RM:** G1-M

**VR:** Relief pressure 0÷200 bar

**99:** FPM

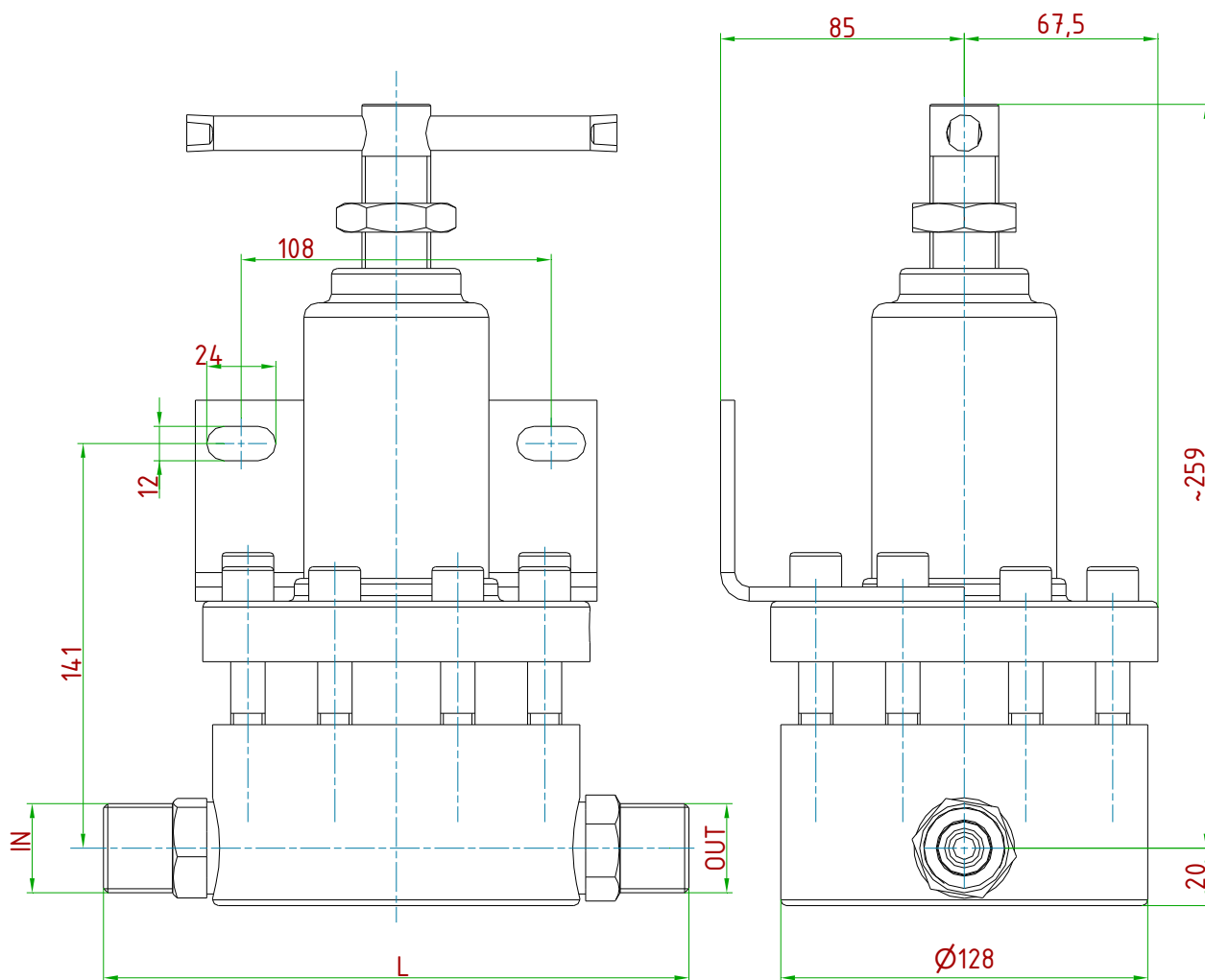
**I0:** ID

**00:** No accessories

## technical drawings (all dimensions in [mm])

MODEL	IN/OUT	L [mm]
3VSS1 G3/4"	3/4"G-M	~196
3VSS1 3/4"NPT	3/4"NPT-M	~196
3VSS1 G1"	1"G-M	~204
3VSS1 1"NPT	1"NPT-M	~204

Bracket to be ordered separately,  
Kit order number : M1BB305



## **ID Insert Deal Srl**

Strada dei Boschi, 40  
20852 Villasanta (MB) Italia  
tel. +39 039 30 2035  
[info@idinsertdeal.com](mailto:info@idinsertdeal.com)  
[www.idinsertdeal.com](http://www.idinsertdeal.com)

ID Insert Deal si riserva il diritto di cambiare le specifiche del prodotto senza preavviso.  
ID Insert Deal reserves the right to change and/or modify product specifications without prior notice.

Insert Deal non si assume alcuna responsabilità per la scelta, uso e manutenzione di qualsiasi prodotto. La responsabilità per l'ideale scelta, uso e manutenzione di qualsiasi prodotto ID rimane interamente a carico dell'acquirente.  
Insert Deal does not assume responsibility for selection, use and maintenance of any products. Responsibility for proper selection, use and maintenance of any ID products remains entirely to the purchaser.

Riproduzione vietata. Tutti i diritti riservati; nessuna parte del presente documento può essere riprodotta senza autorizzazione di ID Insert Deal Srl.  
Reproduction forbidden. All rights reserved; the hereby document can't be reproduced, also partially, without the authorization of ID Insert Deal Srl.

**RELIEF VALVE\_3VSS1\_EN\_02**



Azienda con sistema di gestione qualità certificato.  
**certificato N° 50 100 9191**  
Company with certificated quality management system.  
**certificate N° 50 100 9191**