

## DECOMPRESSION UNITS

### ENO 20 | DECOMPRESSION UNIT TWO-STAGE LOW PRESSURE

*Specially designed for oenological applications, food and even chemical industries. This unit is for blanketing tanks by inert gas, in order to prevent oxidation of the content.*

*Easy connection to bottle.*

**APPLICATIONS:**

- Blanketing

**FEATURES:**

- Spring loaded diaphragm;
- Recommended for non-corrosive gases;
- suitable for oxygen use;



**COMPOSITION**

- Nr 1 High Pressure regulator with relief valve
- Nr 1 II° stage Pressure regulator
- Nr 1 Inlet pressure gauge
- Nr 1 Outlet pressure gauge
- Nr 1 ½" BSP Female Ball valve (optional)

**TECHNICAL DATA**

<b>P. max Inlet</b>	220 Bar
<b>Range pressure out</b>	15-40 mbar
<b>Materials first stage</b>	Brass / Diaphragm of NBR
<b>Materials second stage</b>	Aluminium / Diaphragm of NBR
<b>Temperature</b>	20°C to +60°C
<b>Flow</b>	20 Nm <sup>3</sup> /h a 30 mbar
<b>Inlet Connection</b>	To bottle
<b>Outle Connection</b>	3/8" GM

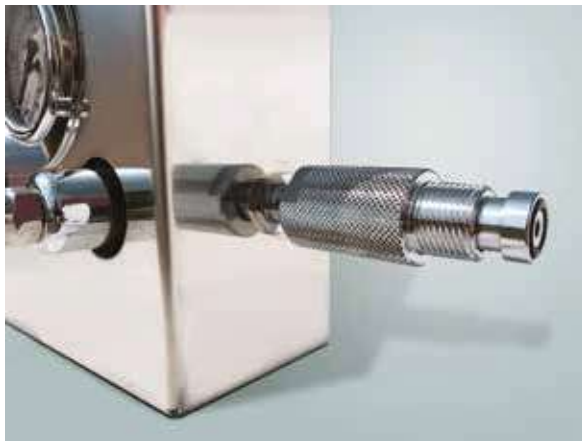
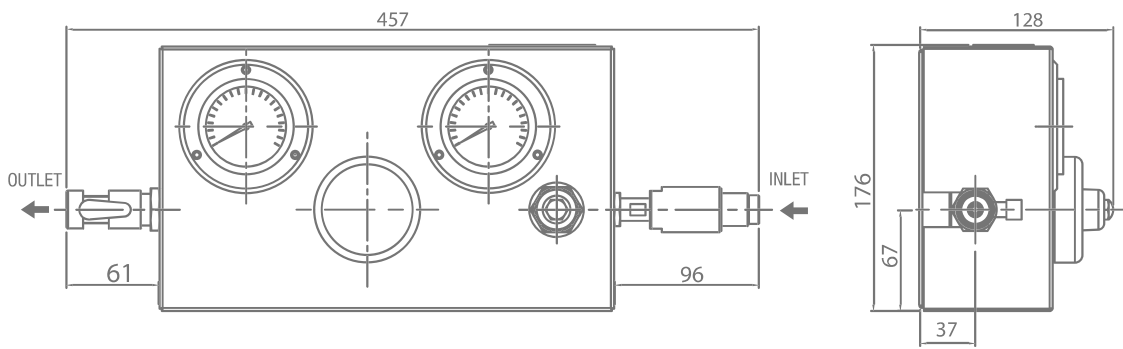


FIG. A

## DETAILS

### Connection cylinder (Fig. A)

The connection to the gas cylinder has been designed to simplify the connection operations. Through this special system it is possible to replace the cylinder without using any tool, but simply screwing and unscrewing by bare hand.

OPTIONAL / Outlet ball valve outlet cod SWASP19

Codice	Gas	Inlet Pressure	Outlet Pressure	Gauge Inlet	Gauge Outlet
SRDS02004	O <sub>2</sub> - CO <sub>2</sub>	2-UNI 11144	G 3/8" M Dx	220 bar	0,5÷10 bar
SRDS01004	N <sub>2</sub>	5-UNI 11144	G 3/8" M Dx	220 bar	0,5÷10 bar
SRDS03004	Ar - He	8-UNI 11144	G 3/8" M Dx	220 bar	0,5÷10 bar

Adapter or brass comedo O2 M - N2F necessary to use the wall unit and connect through serpentine to the cylinders of various gases Cod ARC01165

## NOTE

---



---



---



---



---



---



---



---



---



---



---



---



---



---



---



---



---



---



---



---



---



---