

FILTERS

Stainless steel

OIL & GAS



70 BAR

OPTIONAL

TCR 6 | STANDARD SERIES FROM 1/4" TO 3/4", 60 BAR

Stainless steel 316 L filters designed and manufactured for heavy-duty applications. Completely made of stainless steel 316 L, they are compatible with all liquids and gases

APPLICATIONS:

- Pharmaceutical industry;
- Chemical industry;
- Oil & gas and Off Shore applications;
- Food industry;

FEATURES:

- Particular attention to the low level of roughness of surfaces, to grant high standard of cleaning;
- Compatible for use in aggressive environment;
- Suitable for extreme temperatures (-60°C), critical environments, hazardous applications;
- Suitable to be cleaned and sanitized by the most common processes;

MATERIALS

Body, bonnet	316L stainless steel
Bowl	316L stainless steel
Seals	HNBR - EPDM - FKM - Silicone
Internal parts	316L stainless steel
Filter element	Stainless steel 316L (5 µm, 25 µm, 50 µm or coalescent 0.01µm)

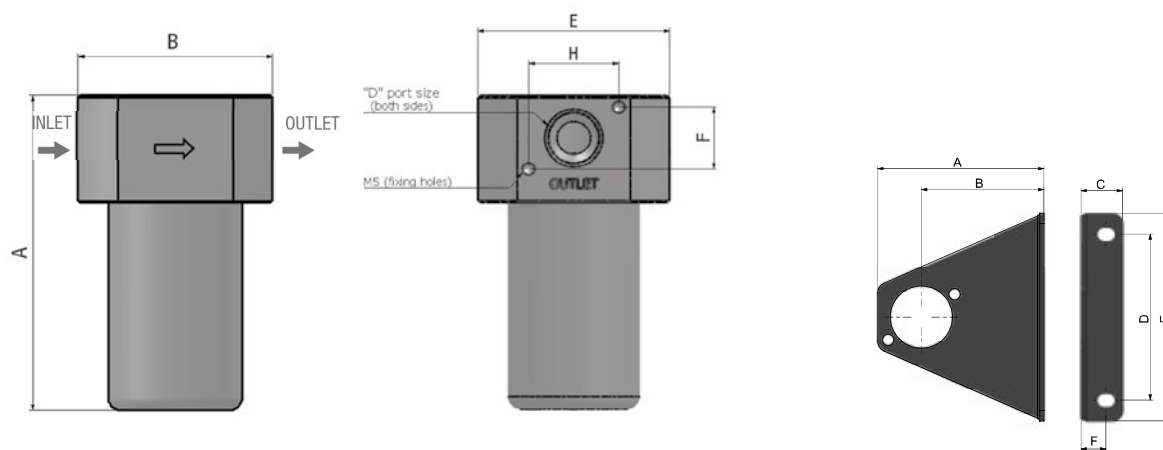
TECHNICAL DATA

	1/4"-3/8"	1/2"-3/4"
Port thread	1/4" BSPP F - 1/4" NPT F	1" BSPP F - 1" NPT F
P. max Inlet	60 Bar (50 bar Temp>80°C) 16 Bar with automatic drain	
Flow rate *	260 Nm ³ /h - 4400 dm ³ /min	350 Nm ³ /h - 5900 dm ³ /min
Weight	1.6kg/3lb	2.3kg/5lb
Working temp.	-25°C to +110°C (HNBR) / -50°C to +130°C (EPDM) -60°C to +230°C Silicone / -20°C +200°C FKM (optional)	
Conformity to Directives	94/9/EC ATEX - ASTM A182 Nace MR0.175	

FILTERS

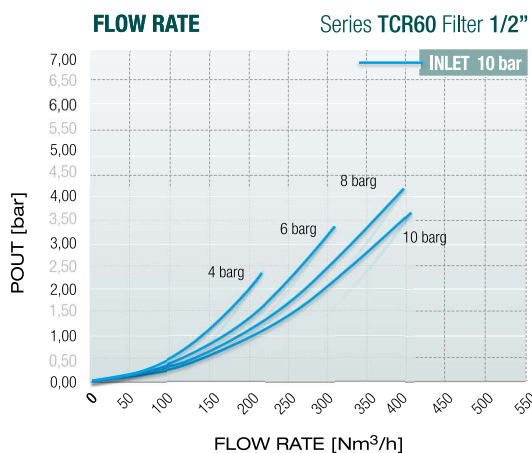
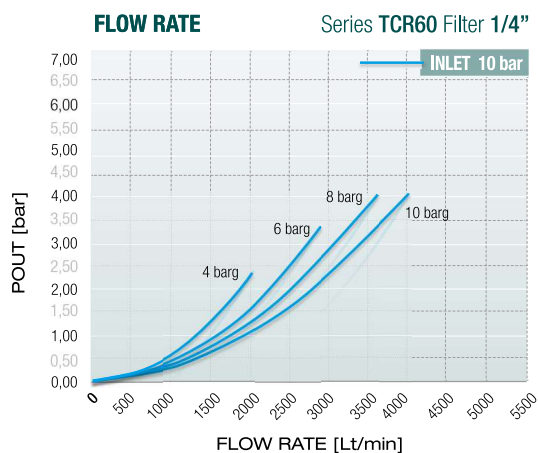
DESIGNED AND CONSTRUCTED FOR HEAVY-DUTY APPLICATIONS

Stainless steel



SIZE	A	B	C	D	E	F	G	H	I
1/4"	108	60	-	1/4"	60	11	-	28	-
1/2"-3/4"	111	68	-	1/2"-3/4"	68	22	-	32	-

SIZE	A	B	C	D	E	F
1/4"	88	59	20	80	100	12
1/2"-3/4"	88	59	20	80	100	12



OPTIONALS

- Bracket • Flanges • Coalescing microfilter 0.01µm • Oring Kalrez®

NOTE

.....

.....

.....

.....

.....

.....

.....

.....

.....

.....

.....